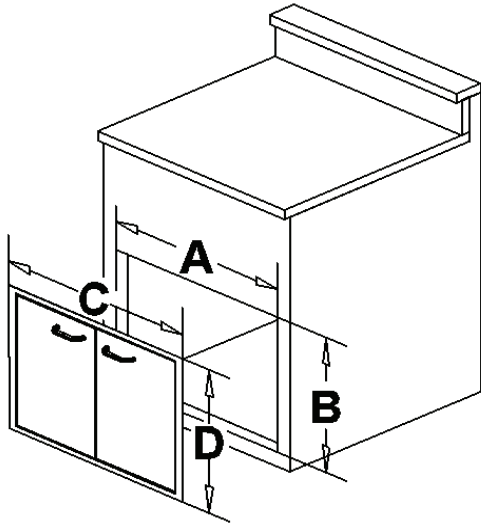


HBI Outdoor Kitchen Accessory Products

Made in the USA!

All HBI outdoor kitchen accessory products are designed to coordinate and feature all stainless (304 grade material) construction and polished chrome handles.

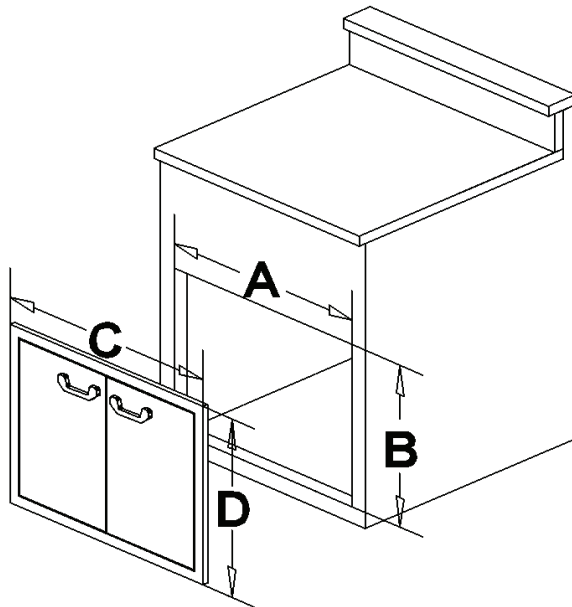
Standard Access Doors



These doors feature single wall construction, trouble free hinge, & flat bezel design designed to lay flush to cabinet surface. Available in numerous sizes. 30" Standard Double Door Shown

Product Name	Part Number	Price	Cutout Dims.		Outside Dims.	
			A	B	C	D
24" Double Access Door Standard	24DD-STD	\$229	21-3/4"	18-3/8"	23-3/4"	19-1/2"
30" Double Access Door Standard	30DD-STD	\$249	27-3/4"	18-3/8"	29-3/4"	19-1/2"
36" Double Access Door Standard	36DD-STD	\$279	33-3/4"	18-3/8"	35-3/4"	19-1/2"

Deluxe Access Doors



These doors feature double-lined construction, 3 way adjustable cabinet hinges, and polished chrome handles. Raised bezel design compliments the look of other top quality appliances installed in your outdoor kitchen. 30" Double Door Deluxe Shown

Product Name	Part Number	Price	Cutout Dims.		Outside Dims.	
			A	B	C	D
17" Single Access Door Deluxe *	17SD-DLX	\$299	15-5/8"	19-3/4"	17-7/8"	21-3/4"
24" Single Access Door Deluxe *	24SD-DLX	\$349	21-3/4"	19-3/4"	24"	21-3/4"
30" Double Access Door Deluxe	30DD-DLX	\$399	27-3/4"	19-3/4"	30"	21-3/4"
36" Double Access Door Deluxe	36DD-DLX	\$449	33-3/4"	19-3/4"	36"	21-3/4"
48" Double Access Door Deluxe	48DD-DLX	\$499	45-3/4"	19-3/4"	48"	21-3/4"
18" Single Access Door Deluxe *	18X26SD-DLX	\$399	15-3/4"	23-3/4"	18"	26"

*Single Doors are Hinged on the Left Side Only

HBI Outdoor Kitchen Accessory Products

Made in the USA!

All HBI outdoor kitchen accessory products are designed to coordinate and feature all stainless (304 grade material) construction and polished chrome handles.

Drawer Sets

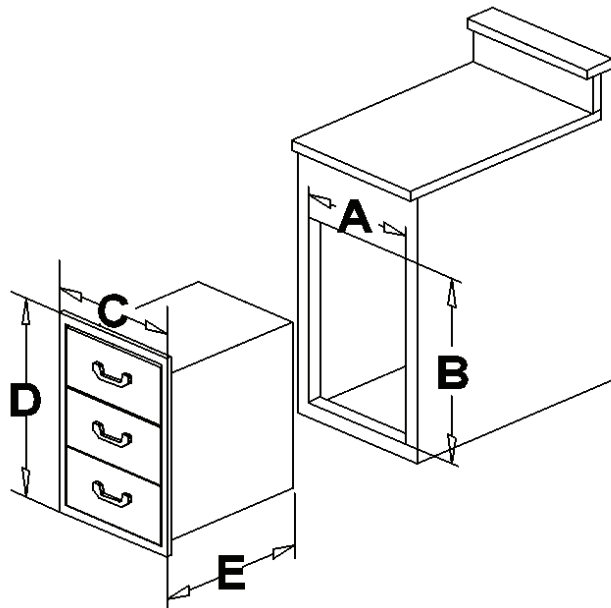


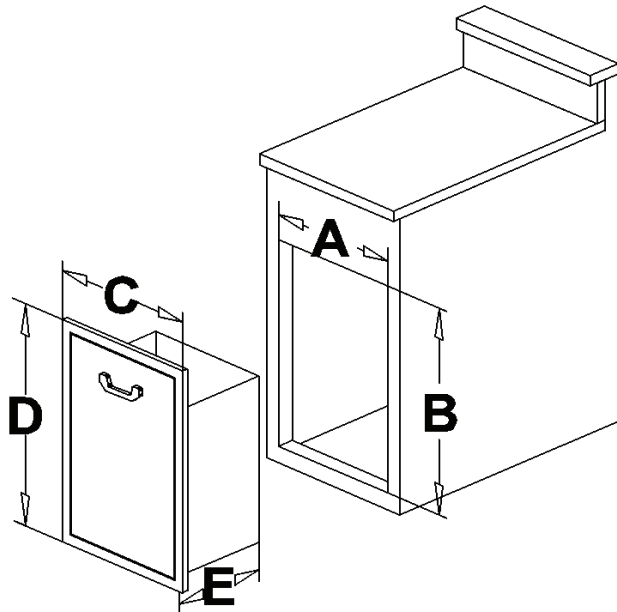
Image Coming Soon!



Larger drawer sets feature heavy duty drawer slides, all stainless (304 grade material) construction and polished chrome handles. These drawers are the perfect compliment for our deluxe door series.

2 Drawer Unit 12x11 features all stainless construction and is perfect for keeping grilling tools handy.

Product Name	Part Number	Price	Cutout Dims.		Outside Dims.		
			A	B	C	D	E
2 Drawer Unit	2DR-12X11	\$369	10-1/4"	9"	12"	11"	20-1/2"
2 Drawer Unit 18x18	2DR-18x18	\$599	16-1/4"	16-1/4"	18"	18"	21-1/2"
3 Drawer Unit 18x26	3DR-18x26	\$749	16-1/4"	24-1/4"	18"	26"	21-1/2"



Trash Cans



The tilt out trash can comes with a Rubbermaid commercial trash liner. The liner can also be removed from the front of the frame after installation for ease of cleaning.

The slide out trash can uses heavy duty slides and comes with two Rubbermaid commercial trash liners for easy recycling.

These units are the perfect compliment to our deluxe door series.

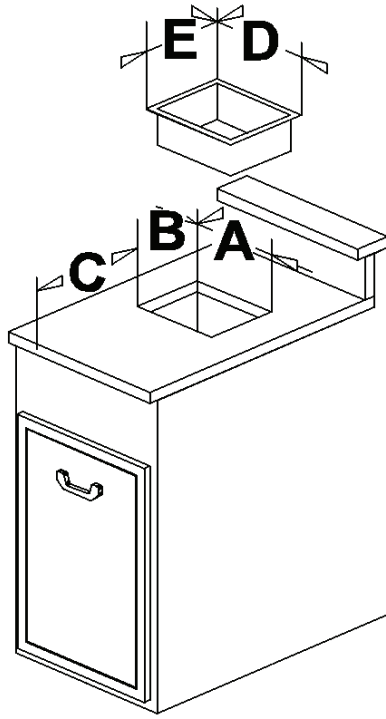
Product Name	Part Number	Price	Cutout Dims.		Outside Dims.		
			A	B	C	D	E
Tilt Out Trash Can	TCTO-18x26	\$349	16-1/4"	24-1/4"	18"	26"	13"
Slide Out Trash Can*	TCSO-18x26	\$599	16-3/4"	24-1/4"	18-1/2"	26"	26"

*Optional Waste Chute Available

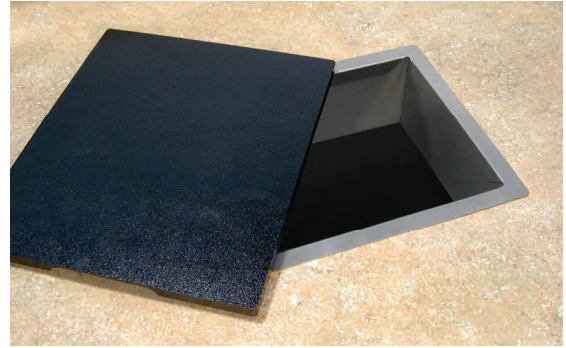
HBI Outdoor Kitchen Accessory Products

Made in the USA!

All HBI outdoor kitchen accessory products are designed to coordinate and feature all stainless (304 grade material) construction and polished chrome handles.



Waste Chute

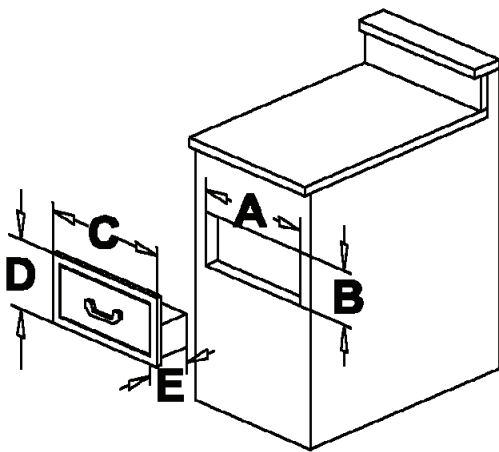


Waste chute with cutting board provides quick access to the slide out trash center & features 304 grade all stainless steel construction.

Bezel lays flush with countertop for easy clean up. Designed for use with the slide out trash center.

Product Name	Part Number	Price	Cutout Dims.			Outside Dims.	
			A	B	C	D	E
Trash Center Waste Chute	TCWC	\$179.00	10-1/2"	8-1/2"	12-1/2"*	11-1/2"	9-1/2"
*12-1/2" from front face of island							

Paper Towel Holder



HBI's outdoor island components encompass the functionality necessary to complete any custom outdoor kitchen island. The fully enclosed paper towel holder, which can be built in horizontally or vertically, will hold even the plushest of rolls while keeping you counter free from clutter.

Product Name	Part Number	Price	Cutout Dims.		Outside Dims.		
			A	B	C	D	E
Paper Towel Holder	PTH-17x10.5	\$199	15"	8-1/2"	17"	10-1/2"	7-5/8"